

F E D C B A

REV	ZONE	DESCRIPTION	ECN NO.	ENG	APPROVED	DATE

1

1

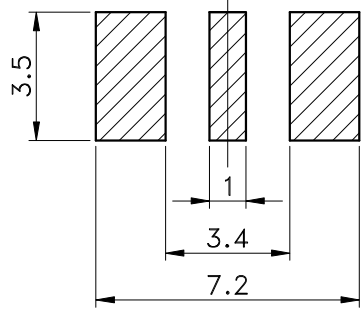
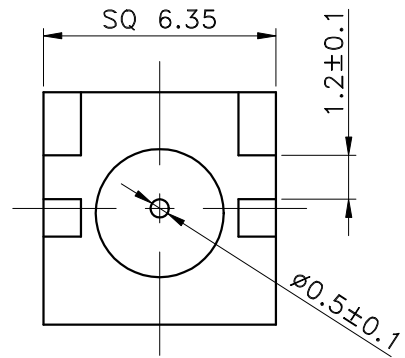
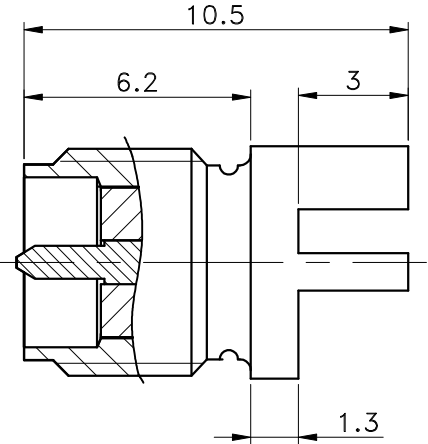
2

2

3

3

Reverse SMA Female



Recommended
PCB Layout

Electrical Properties	
Frequency Range	DC~6GHz
Impedance	50Ω
V.S.W.R.	≤1.25
Mechanical Properties	
Weight	1 g (est)
Operating Temp.	-40°C ~ +85°C

UNLESS OTHERWISE SPECIFIED TOLERANCES ON: ± 0.3

THIRD ANGLE PROJECTION

THIS DRAWING CONTAINS INFORMATION THAT IS PROPRIETARY TO JOYMAX AND SHOULD NOT BE USED WITHOUT WRITTEN PERMISSION.

DRAWN BY: KYLIU
 DESIGNED BY:
 CHECKED BY:
 APPROVED BY:

MATERIAL: Brass
 FINISH: Gold
 SCALE: 5/1; UNIT: mm
 DATE: 2023/10/25
 REV: A

TITLE : SMA JACK MALE PIN STR 50OHM EDGE MNT
 DRAW NO. :
 PART NO. : CT-SAD12X-006M
 JOYMAX ELECTRONICS CO.,LTD.

4

4

F E D C B A