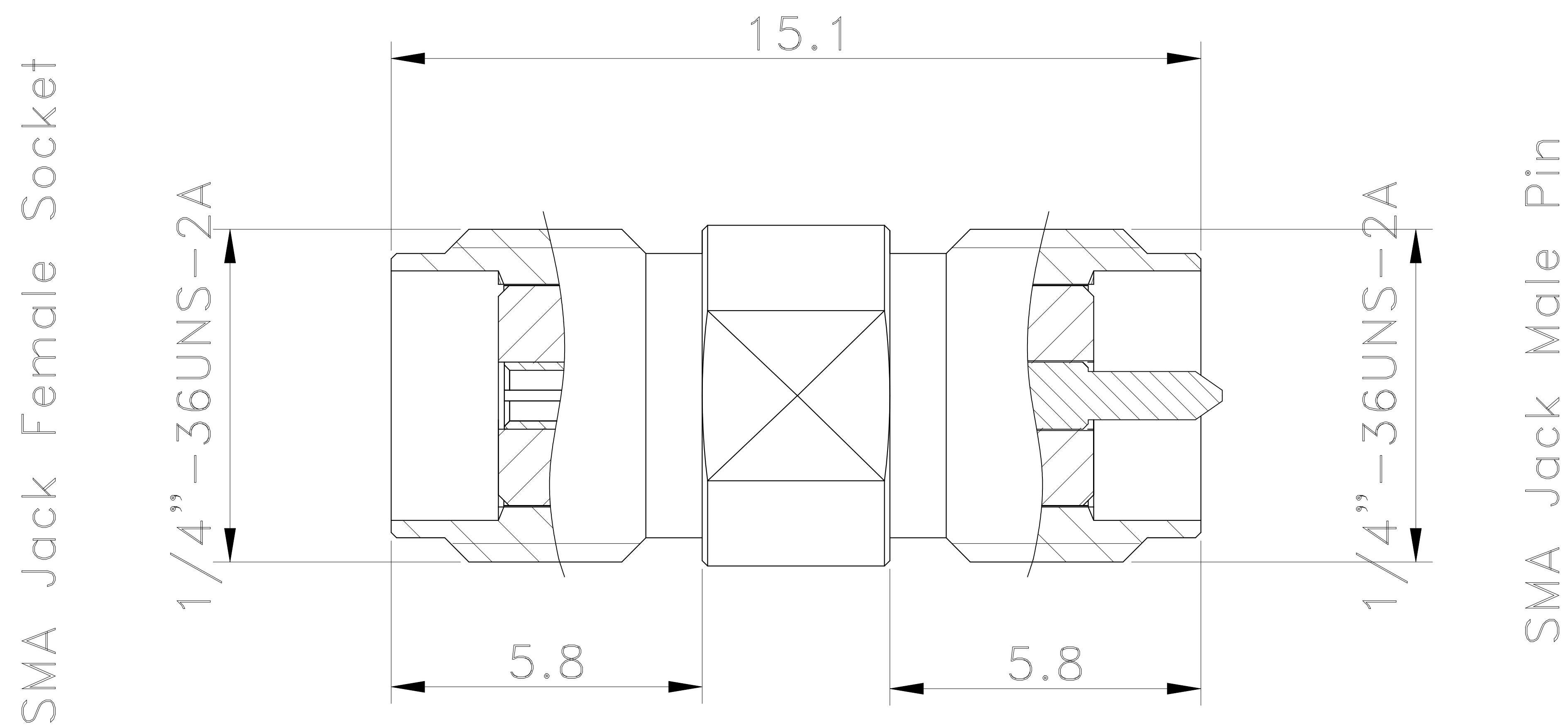




| REV | ZONE | DESCRIPTION | ECN NO. | ENG | APPROVED | DATE |
|-----|------|-------------|---------|-----|----------|------|
| | | | | | | |



SMA Jack Female Socket

SMA Jack Male Pin

| Electrical Properties | |
|-----------------------|---------------|
| Frequency Range | DC~18GHz |
| Impedance | 50Ω |
| V.S.W.R. | ≤1.3 |
| Mechanical Properties | |
| Weight | 2 g (est) |
| Operating Temp | -40°C ~ +85°C |

UNLESS OTHERWISE SPECIFIED
TOLERANCES ON: ±0.3

THIRD ANGLE PROJECTION

THIS DRAWING CONTAINS INFORMATION THAT IS PROPRIETARY TO JOYMAX AND SHOULD NOT BE USED WITHOUT WRITTEN PERMISSION.

DRAWN BY: KYLIU
DESIGNED BY:
CHECKED BY:
APPROVED BY: SARA

MATERIAL: Brass
FINISH: Gold
SCALE: 4/1; UNIT: mm
DATE: 2024/0206
REV: A

TITLE : ADP SMA Jack Female Socket To SMA Jack Male Pin
DRAW NO. :
PART NO. : AD-SABSAD-001M

JOYMAX ELECTRONICS CO.,LTD.