

F E D C B A

REV	ZONE	DESCRIPTION	ECN NO.	ENG	APPROVED	DATE

1

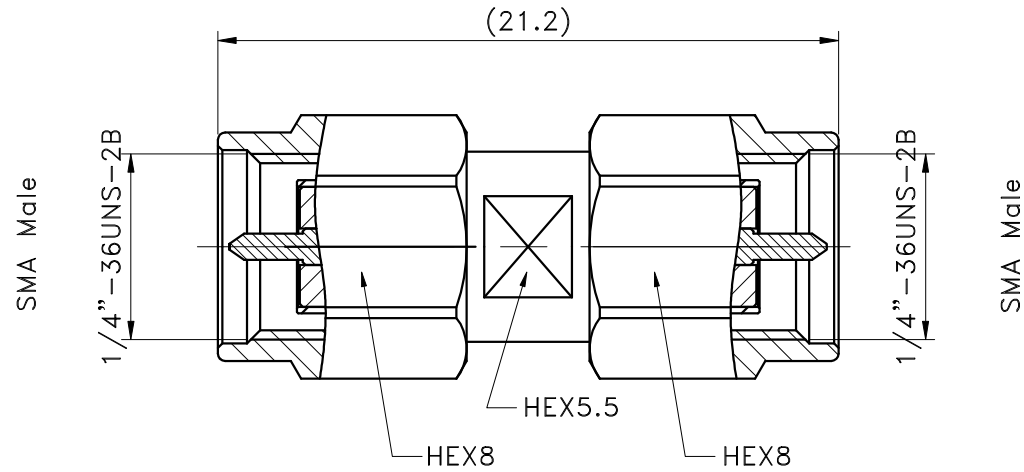
1

2

2

3

3

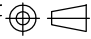


4

4

Electrical Properties	
Frequency Range	DC~18GHz
Impedance	50Ω
V.S.W.R.	≤1.3
Mechanical Properties	
Weight	5 g (est)
Operating Temp	-40°C ~ +85°C


UNLESS OTHERWISE SPECIFIED TOLERANCES ON: ±0.3

THIRD ANGLE PROJECTION 

THIS DRAWING CONTAINS INFORMATION THAT IS PROPRIETARY TO JOYMAX AND SHOULD NOT BE USED WITHOUT WRITTEN PERMISSION.

DRAWN BY: KYLIU
 DESIGNED BY:
 CHECKED BY:
 APPROVED BY:

MATERIAL: Brass
 FINISH: Gold
 SCALE: 4/1; UNIT: mm
 DATE: 2023/10/25
 REV: A

TITLE : Adapter, SMA Plug Male Pin To SMA PIUG Male Pin
 DRAW NO. :
 PART NO. : AD-SAASAA-001M
 **JOYMAX ELECTRONICS CO.,LTD.**

F E D C B A