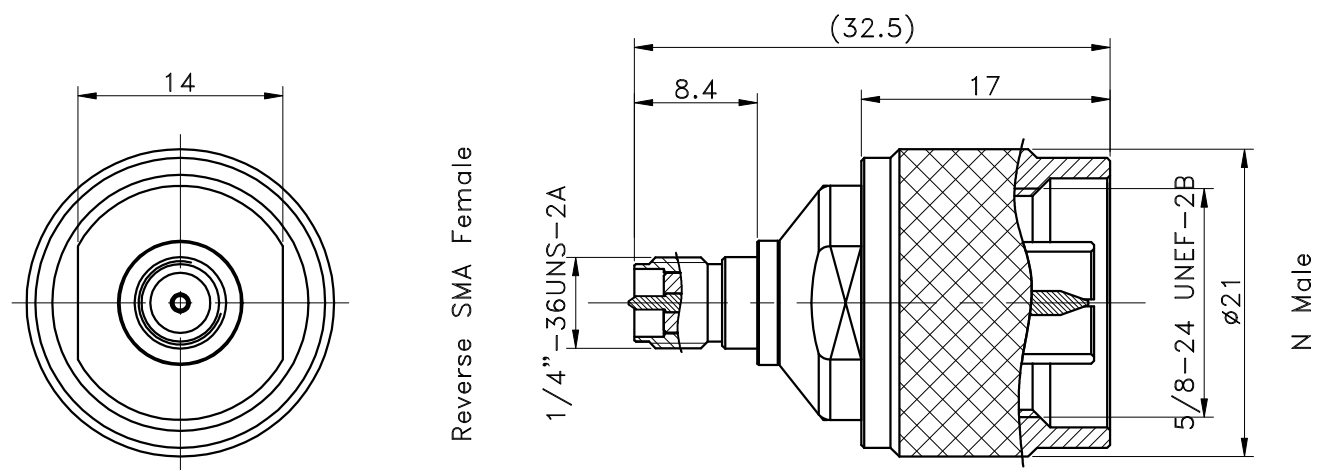


REV	ZONE	DESCRIPTION	ECN NO.	ENG	APPROVED	DATE



Electrical Properties	
Frequency Range	DC~6GHz
Impedance	50Ω
V.S.W.R.	≤1.3
Mechanical Properties	
Weight	32 g (est)
Operating Temp	-40°C ~ +85°C

UNLESS OTHERWISE SPECIFIED TOLERANCES ON: ±0.3

THIRD ANGLE PROJECTION

THIS DRAWING CONTAINS INFORMATION THAT IS PROPRIETARY TO JOYMAX AND SHOULD NOT BE USED WITHOUT WRITTEN PERMISSION.

DRAWN BY: KYLIU
DESIGNED BY:
CHECKED BY:
APPROVED BY:

MATERIAL: Brass
FINISH: Ni
SCALE: 1/2; UNIT: mm
DATE: 2023/10/25
REV: A

TITLE : Adapter, N Plug Male Pin To SMA Jack Male Pin
DRAW NO. :
PART NO. : AD-NXESAH-001M
 JOYMAX ELECTRONICS CO.,LTD.